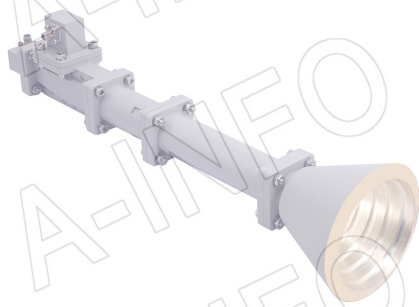


For reference only. See data sheet for the detailed specifications.

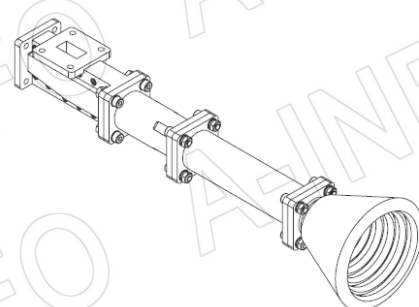
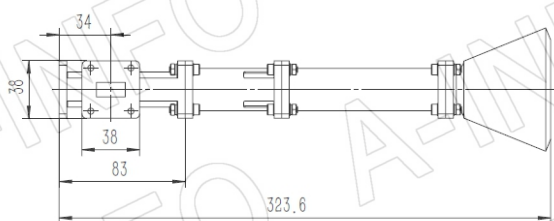
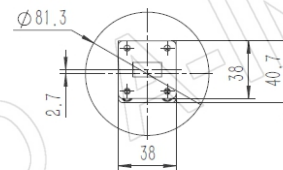
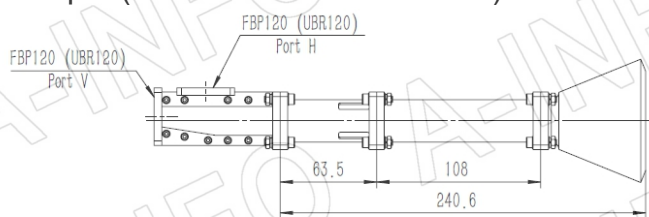
Technical Specification



Frequency Range(GHz)	11.0 - 14.0
Waveguide	WR75
Gain(dBic)	15 Typ.
Polarization	Dual Circular
Axial Ratio(dB)	2.0 Typ. ; 4.0 Max.
3dB Beamwidth(deg)	E Plane: 28 Typ.
	H Plane: 28 Typ.
Port to Port Isolation(dB)	25 Typ. ; 20 Min.
VSWR	A Type: 1.40:1 Typ.
	C Type: 1.50:1 Typ.
Output	A Type: FBP120(UBR120)
	C Type: SMA-Female or N-Female or TNC-Female or 7mm or 3.5mm-Female
Material	Al
Finish	Silver Plated and Chemical Conversion Coating, Gray Paint
Size(mm)	A Type: 81.3 x 81.3 x 323.6
	C Type: 81.3 x 92.4 x 353.6
Net Weight(Kg)	A Type: 0.52 Around
	C Type: 0.62 Around

Outline Drawing (Size: mm)

FBP120 Output (P/N: LB-CH-75-15-D16-A)



AINFO Inc.

China(Beijing): Tel: (+86) 10-6266-7326,
 China(Chengdu): Tel: (+86) 28-8519-2786,
 USA : Tel: (+1) 949-639-9688,

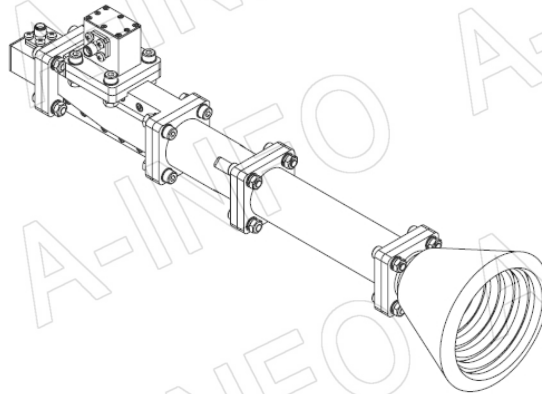
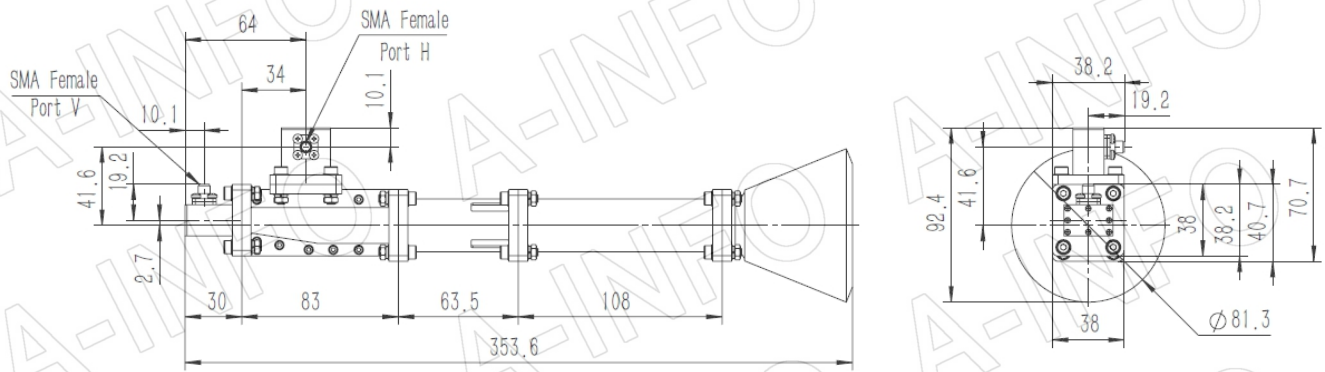
Page 1 of 10

(+86) 10-6266-7327 Fax: (+86) 10-6266-7379
 (+86) 28-8519-3044 Fax: (+86) 28-8519-3068
 (+1) 949-639-9608 Fax: (+1) 949-639-9670

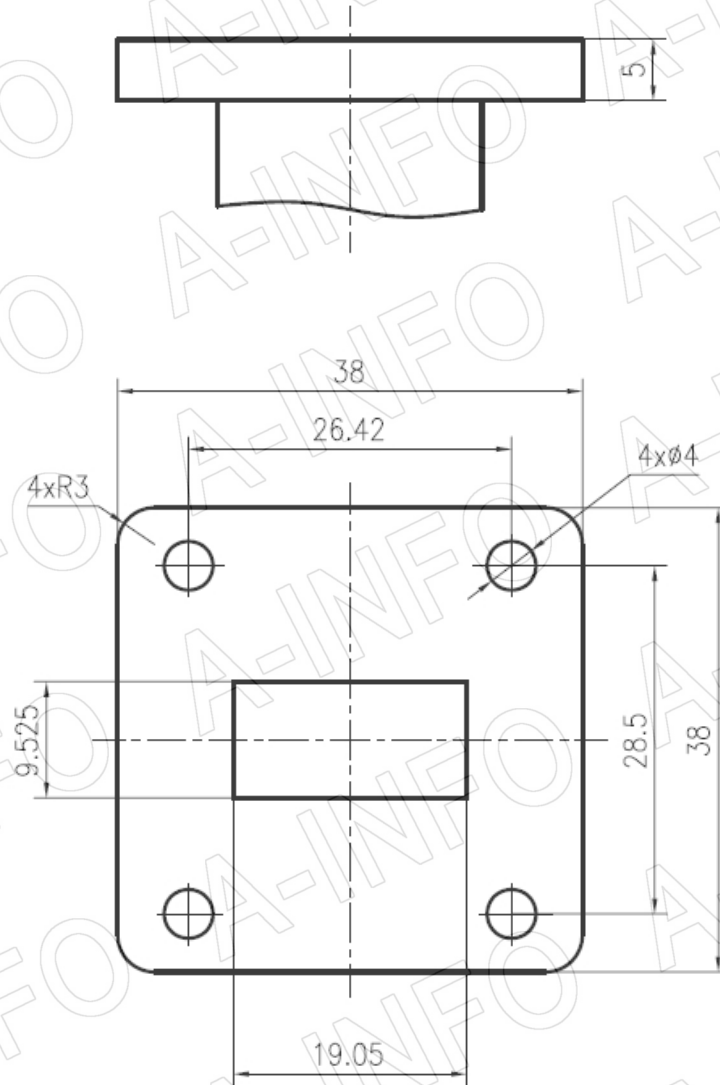
Website: www.ainfoinc.com
 Email: sales@ainfoinc.com

SMA-Female Output (P/N: LB-CH-75-15-D16-C-SF)

For N-Female, TNC-Female, 7mm or 3.5mm-Female output outline drawing, please contact A-INFO.



Flange Drawing (Size: mm)



FBP120

AINFO Inc.

China(Beijing): Tel: (+86) 10-6266-7326,
China(Chengdu): Tel: (+86) 28-8519-2786,
USA : Tel: (+1) 949-639-9688,

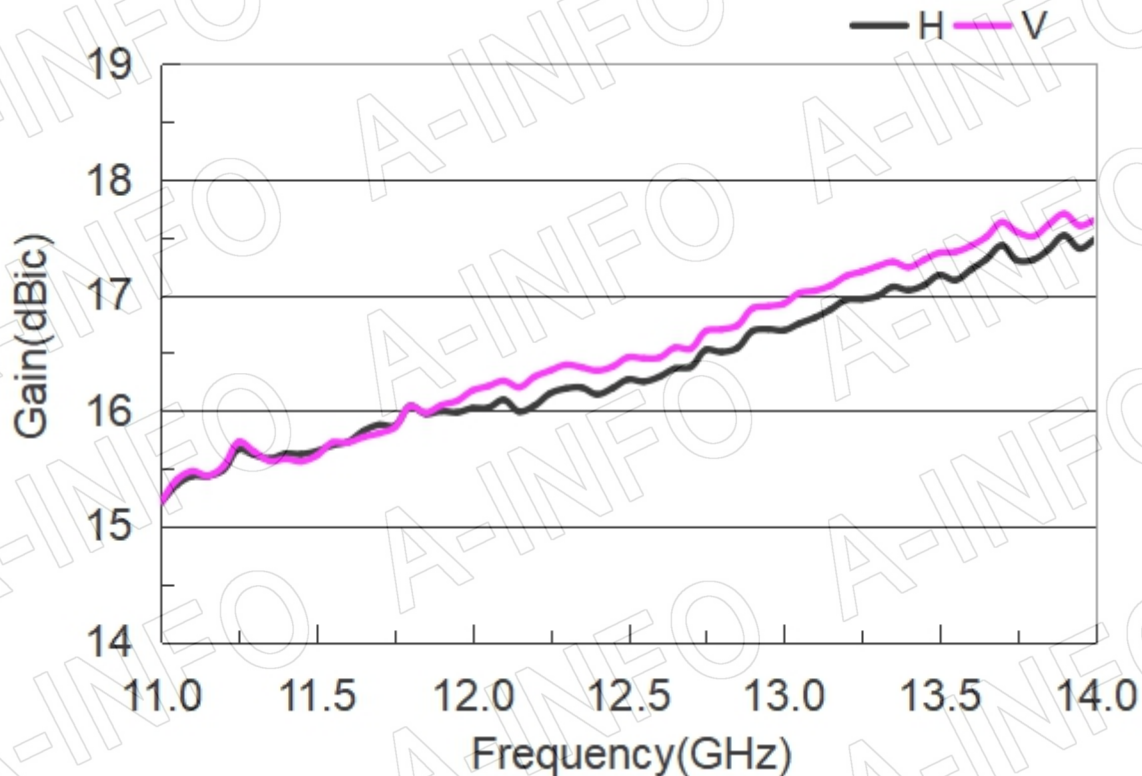
Page 3 of 10

(+86) 10-6266-7327 Fax: (+86) 10-6266-7379
(+86) 28-8519-3044 Fax: (+86) 28-8519-3068
(+1) 949-639-9608 Fax: (+1) 949-639-9670

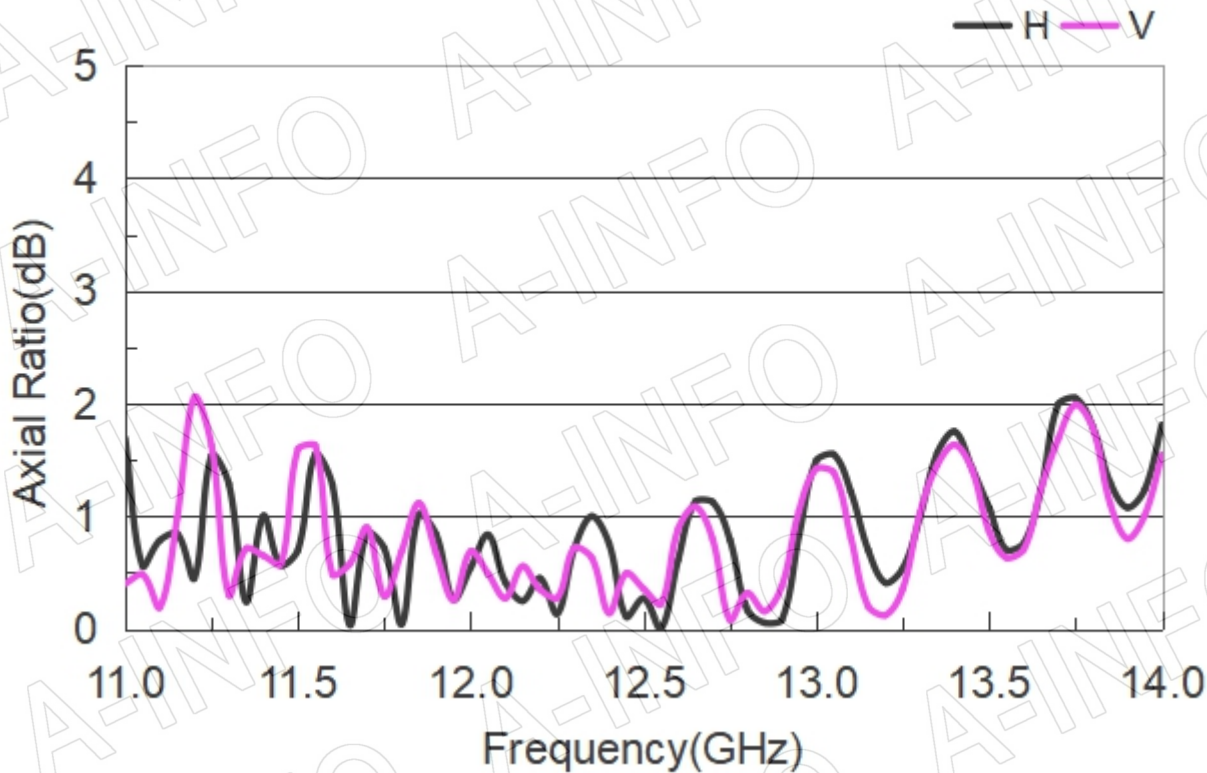
Website: www.ainfoinc.com
Email: sales@ainfoinc.com

Test Results

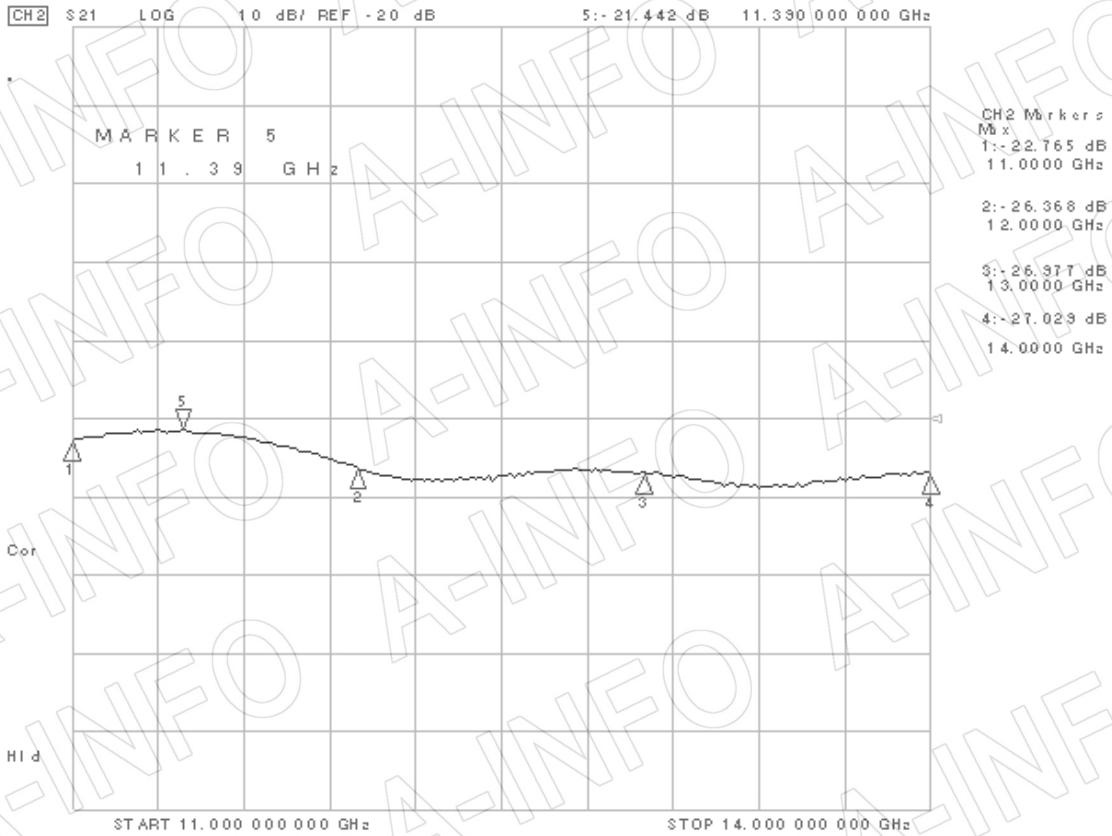
1. Gain



2. Axial Ratio

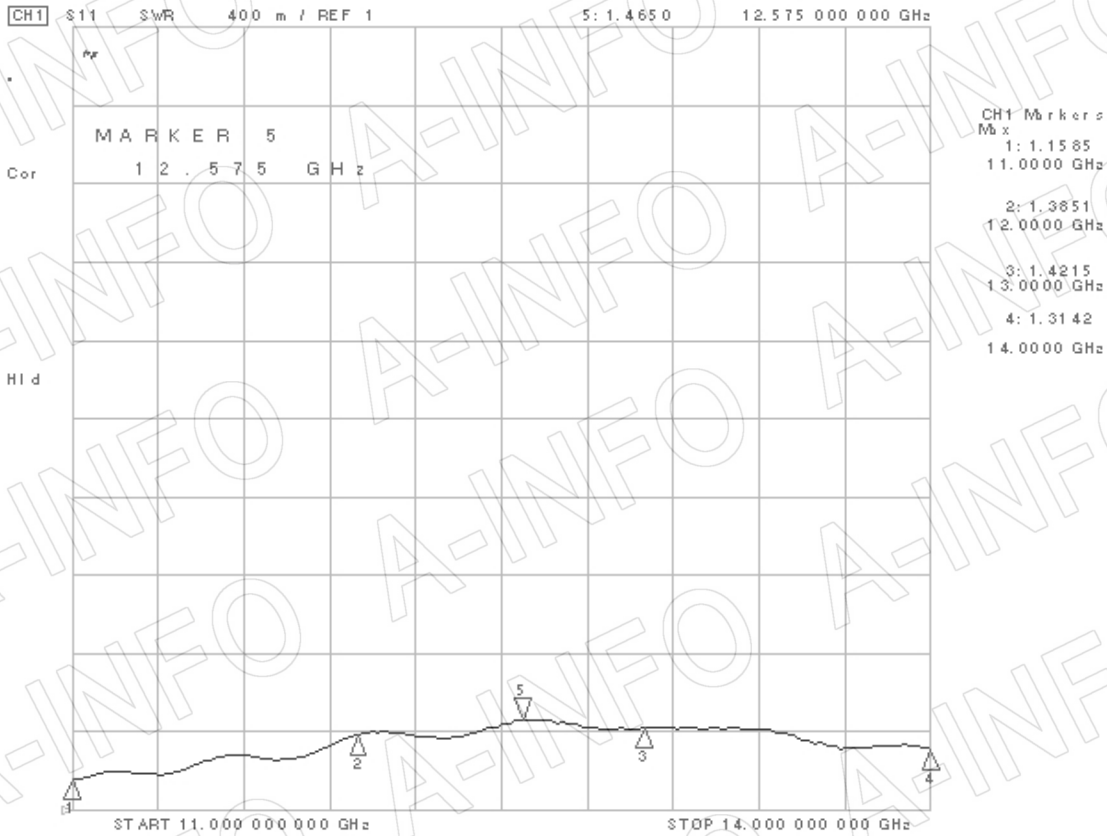


3. Port to Port Isolation

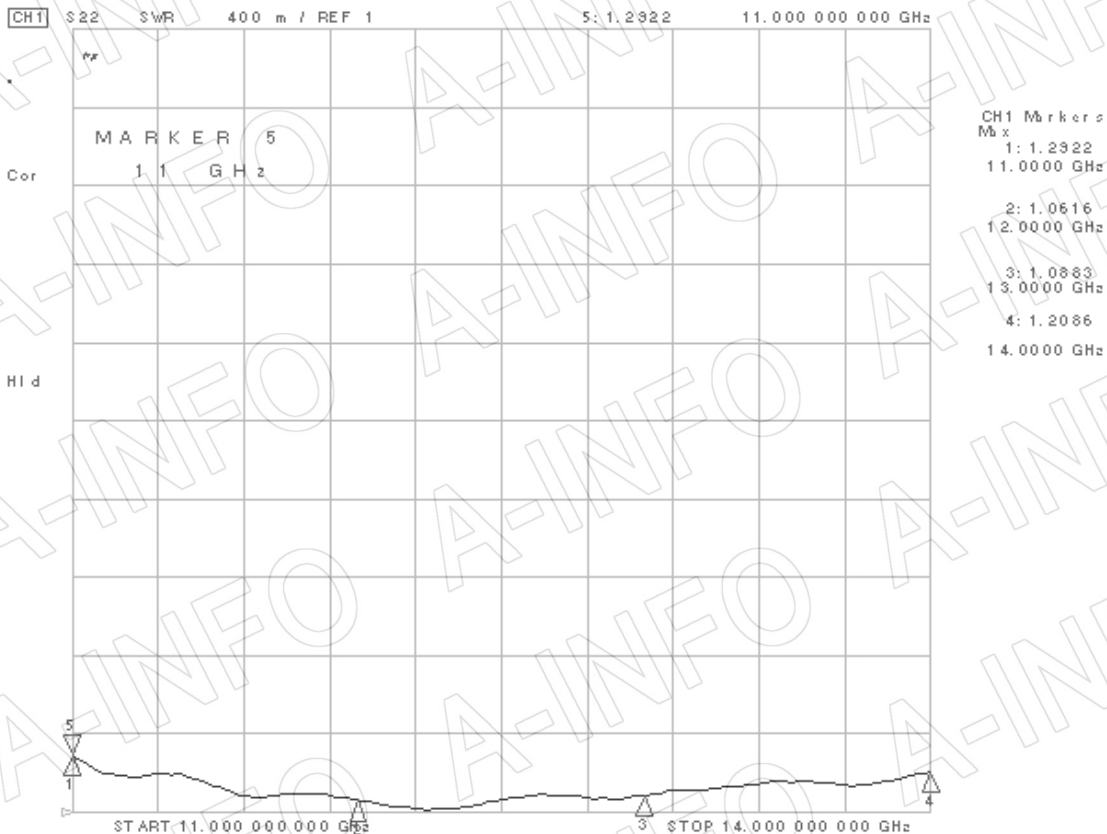


4. VSWR_A Type

Port-H

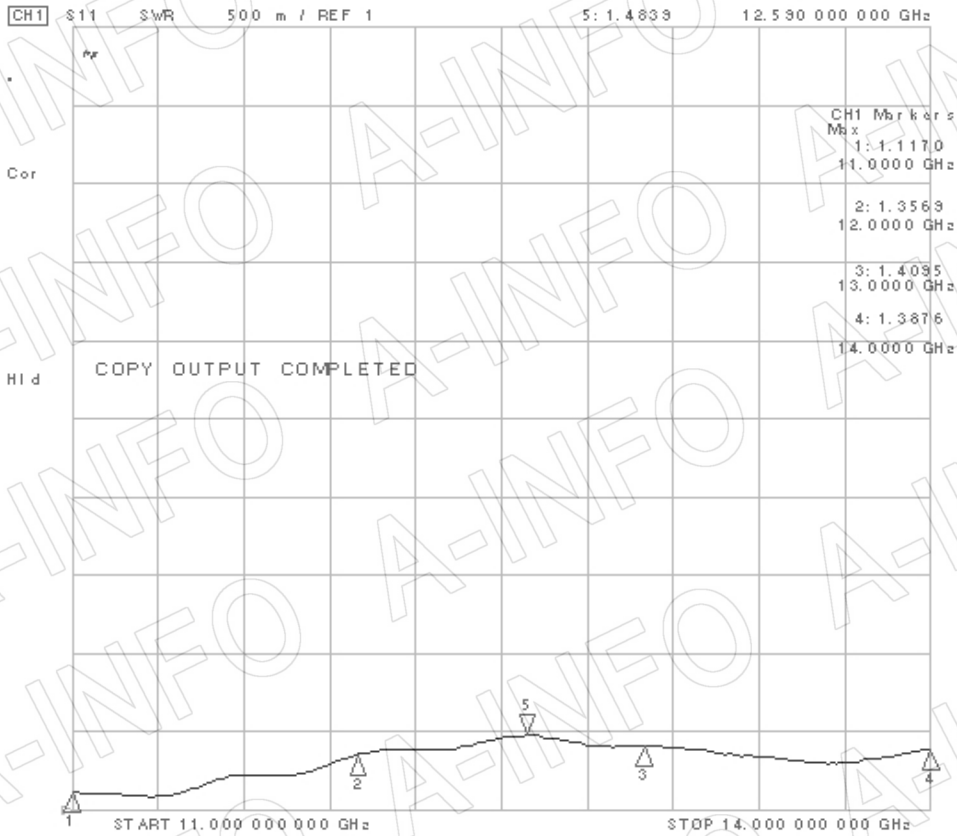


Port-V

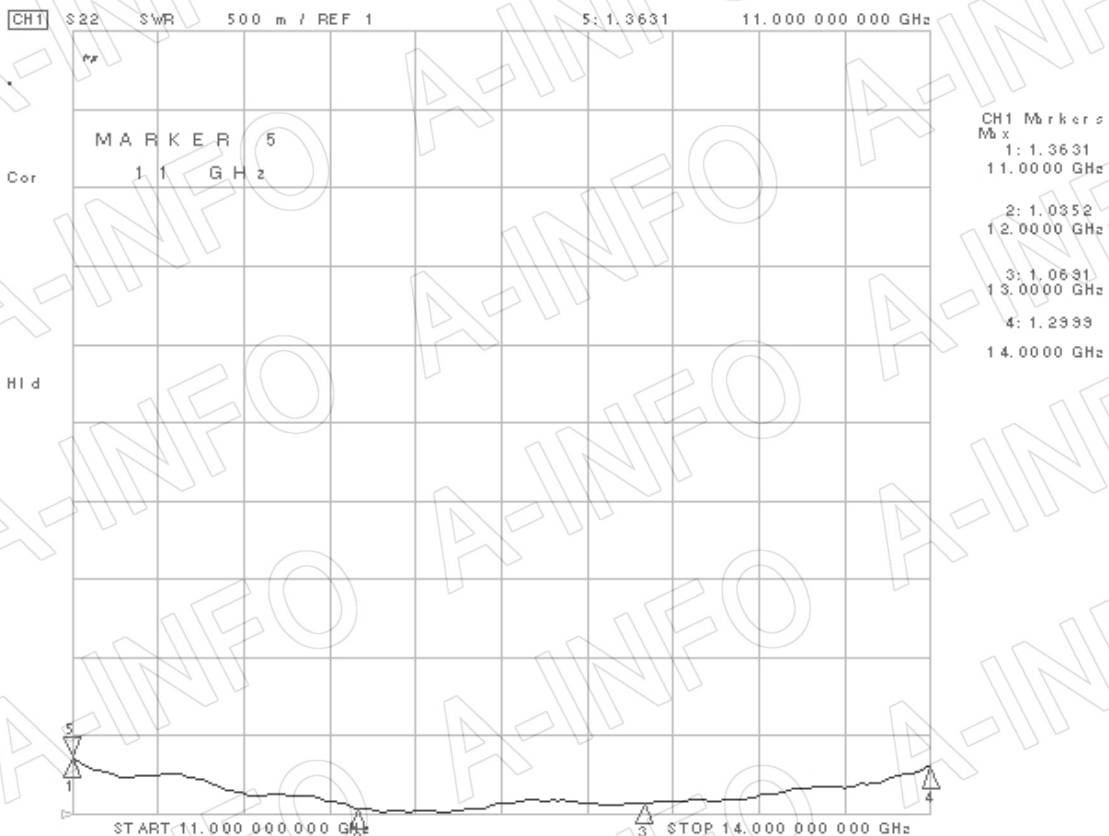


VSWR_C Type

Port-H

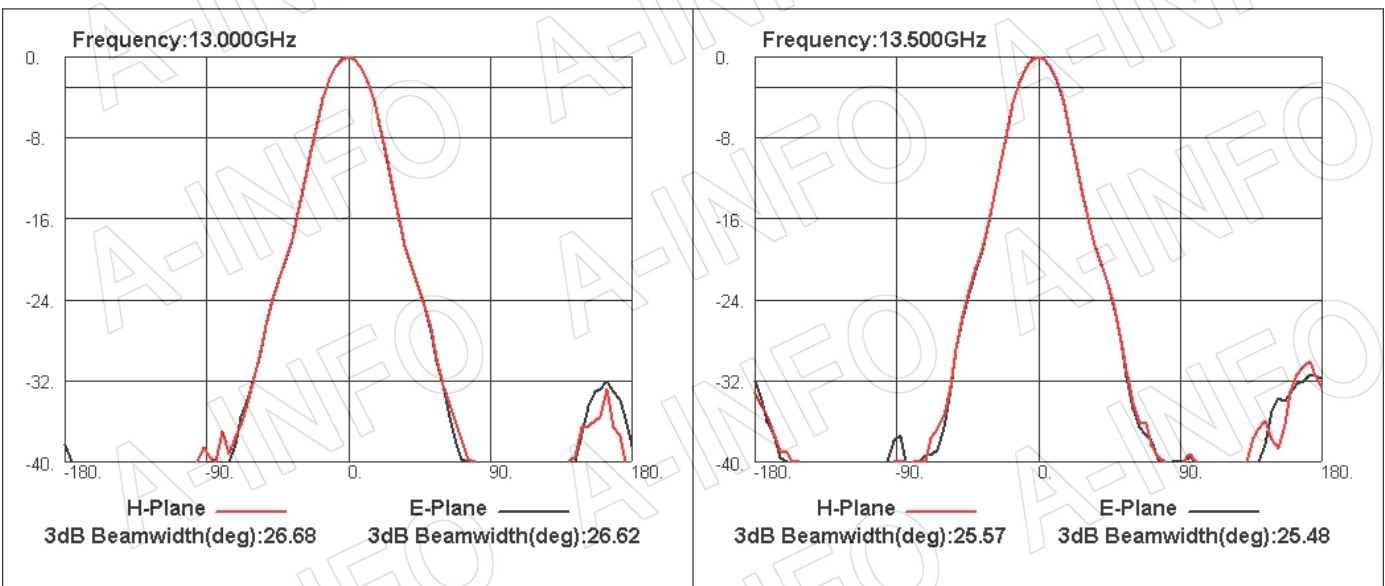
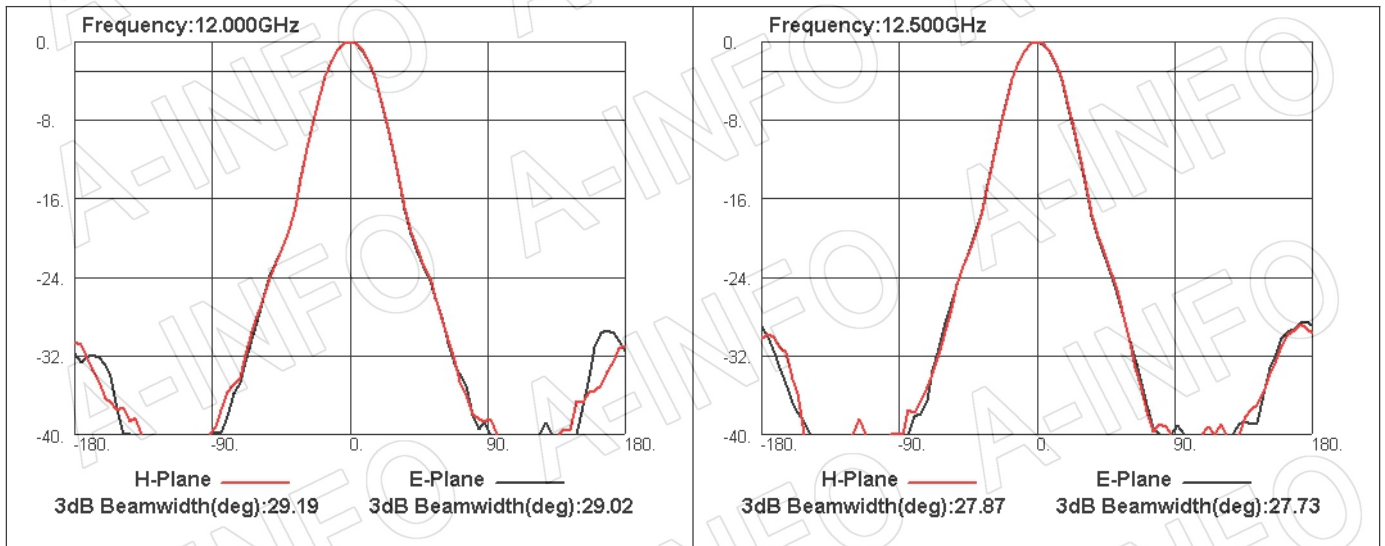
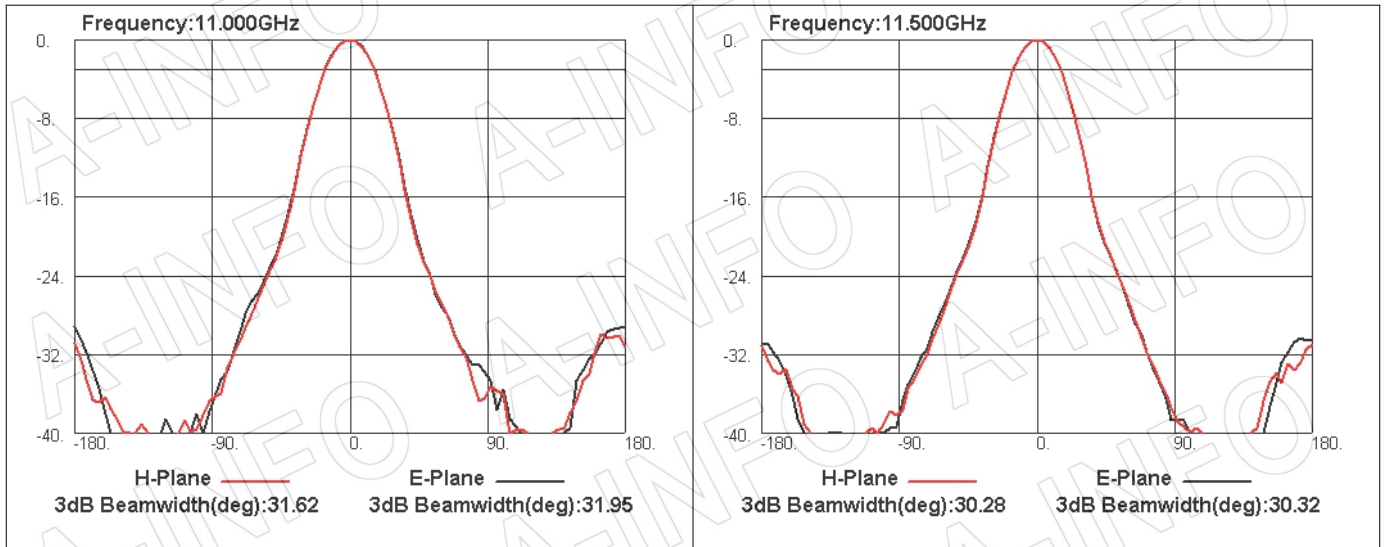


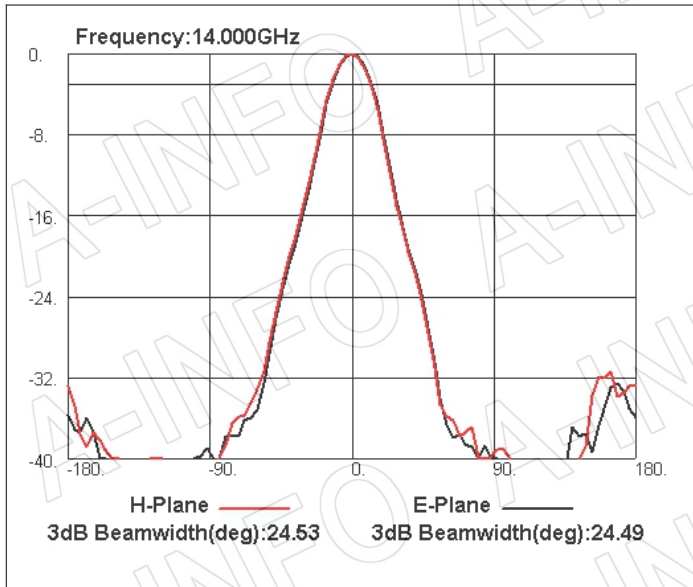
Port-V



5. Pattern

Port-H





Port-V

